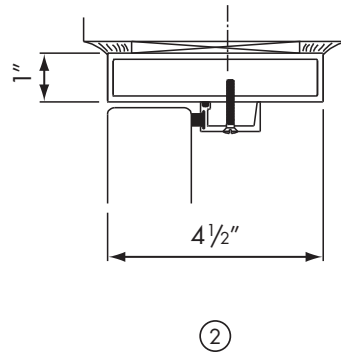
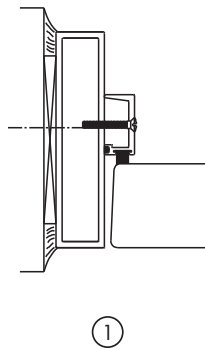
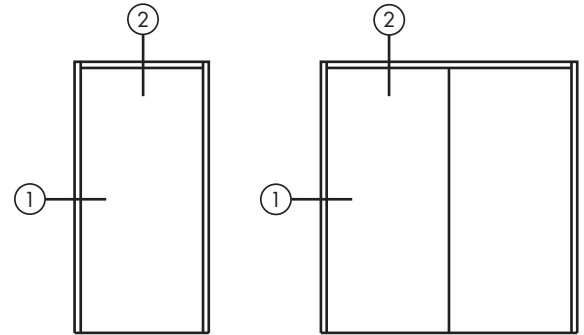


1" x 4 - 1/2" Applied Glass Stop

Scale: 1/4" = 1

**This product is intended for use
as a perimeter frame only!**



*Product specifications and construction details
subject to change without notification.*

Special-Lite, Inc.
P.O. Box 6, Decatur, MI 49045
Ph: 800.821.6531 • Fx: 800.423.7610 • www.special-lite.com

Item #7215
3M 05/10 JBP