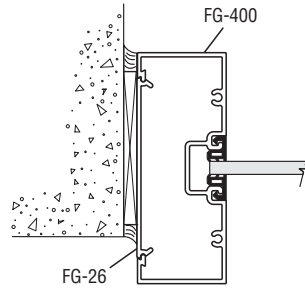


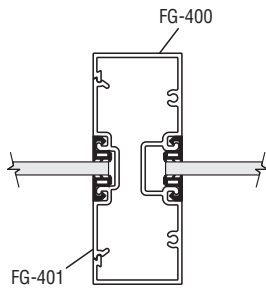
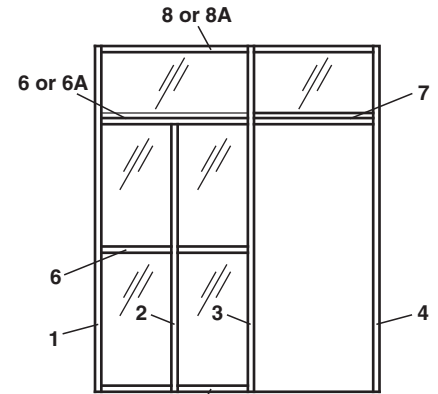
## 1 - 3/4" x 4 - 1/2" Storefront Framing

Scale: 1/4" = 1

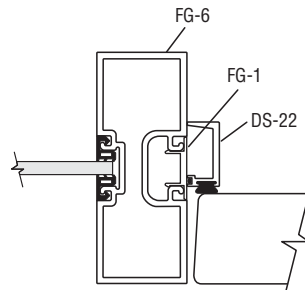
- For 1/4" Glass
- Transom Configuration



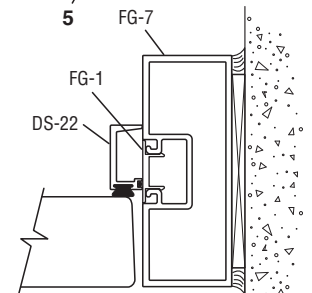
①  
Jamb



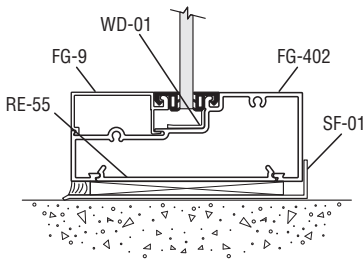
②  
Mullion



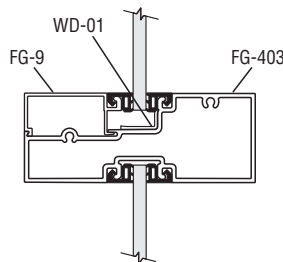
③  
Lock Jamb - .125 wall tube



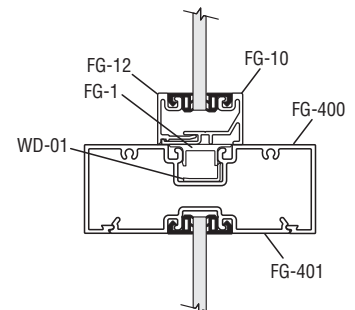
④  
Hinge Jamb - .125 wall tube



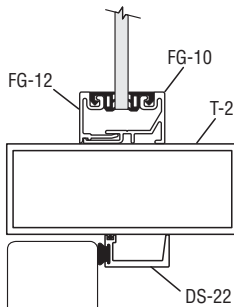
⑤  
Sill



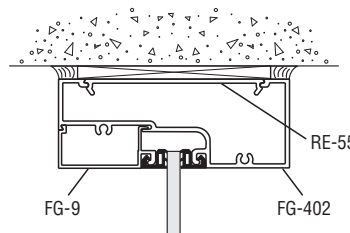
⑥  
Intermediate Horizontal - with snap stop



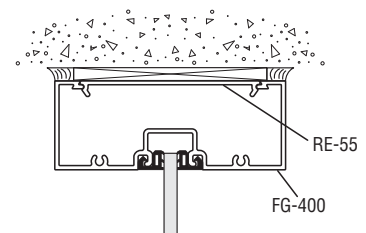
⑥A  
Intermediate Horizontal - with applied stop



⑦  
Door Header - .125 wall tube



⑧  
Header - with snap stop

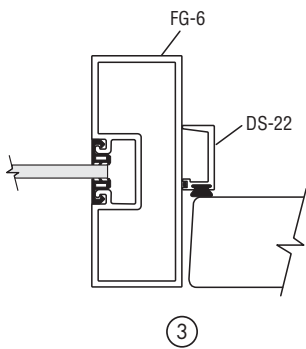
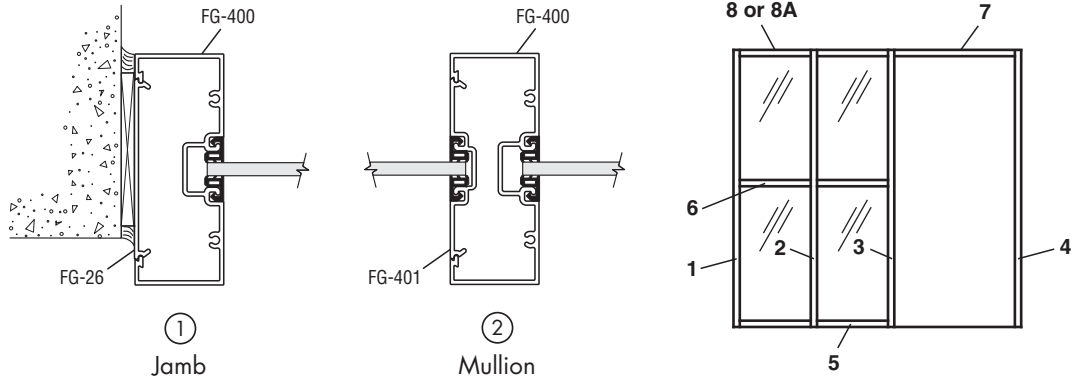


⑧A  
Header

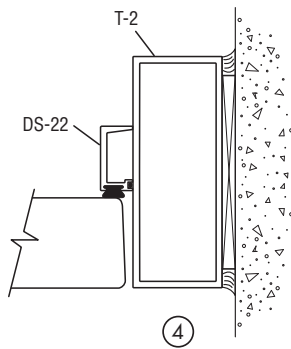
## 1 - 3/4" x 4 - 1/2" Storefront Framing

Scale: 1/4" = 1

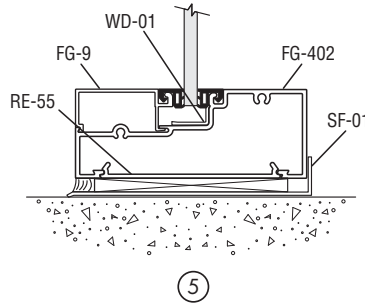
• For 1/4" Glass



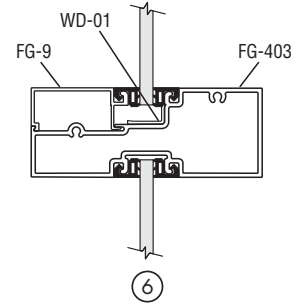
Lock Jamb -  
.125 wall tube



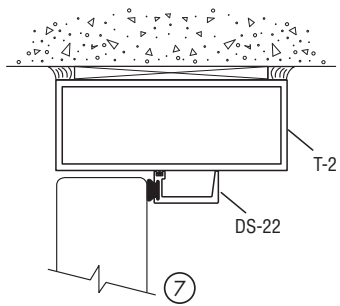
Hinge Jamb -  
.125 wall tube



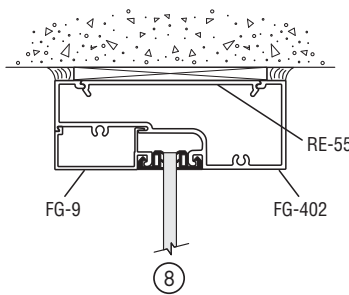
Sill



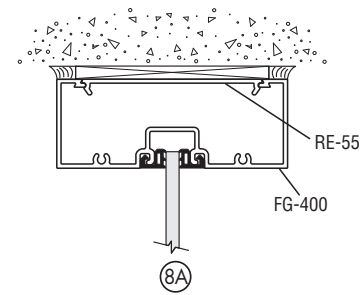
Intermediate Horizontal -  
with snap stop



Door Header = .125 wall tube



Header - with snap stop



Header

Product specifications and construction details  
subject to change without notification.

**Special-Lite, Inc.**  
P.O. Box 6 • Decatur, MI 49045

www.special-lite.com

800.821.6531

Item 7210

3M 05/10 JBP



**Special-Lite®**  
*Doors with more life.*