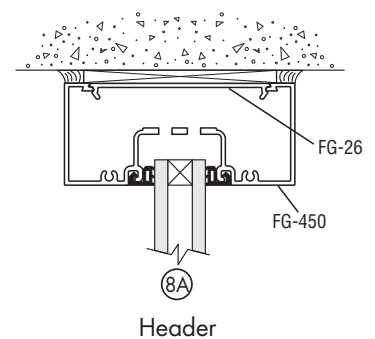
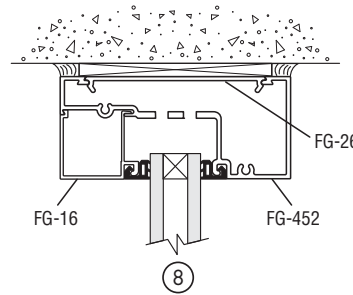
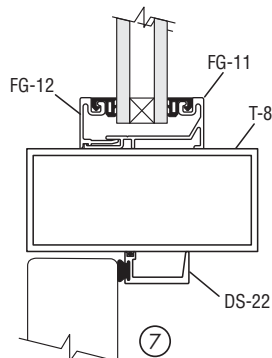
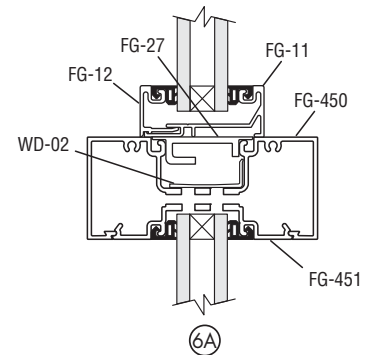
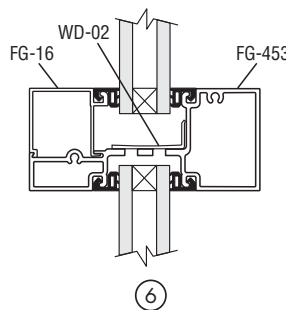
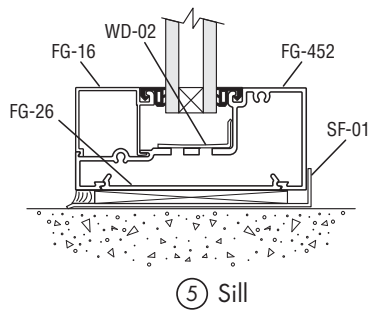
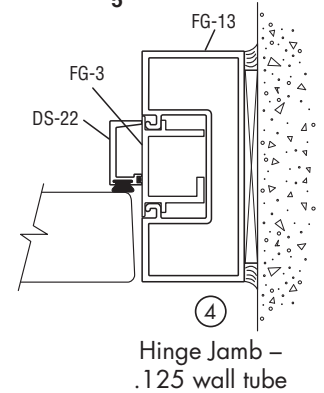
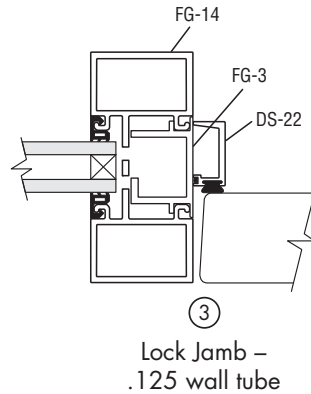
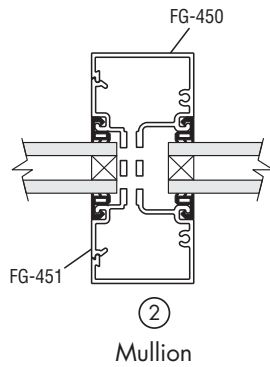
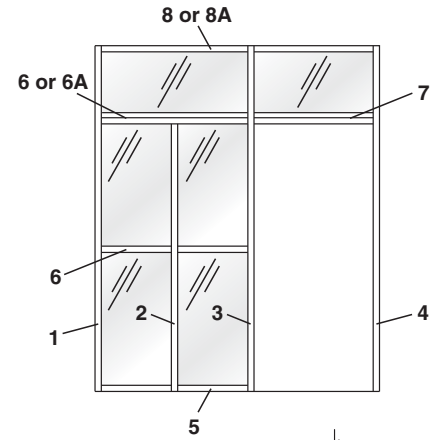
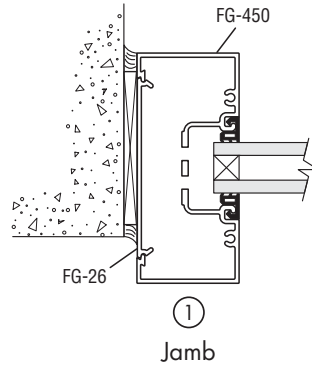


2" x 4 - 1/2" Storefront Framing

Scale: 1/4" = 1

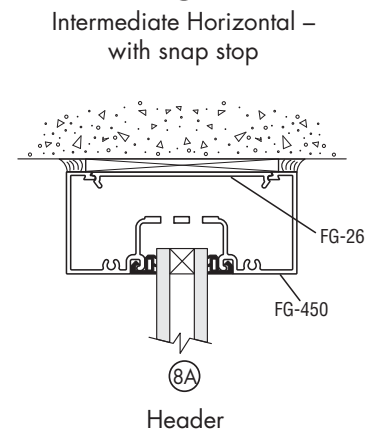
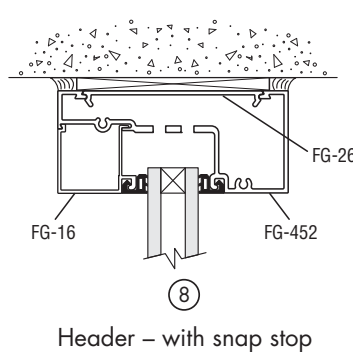
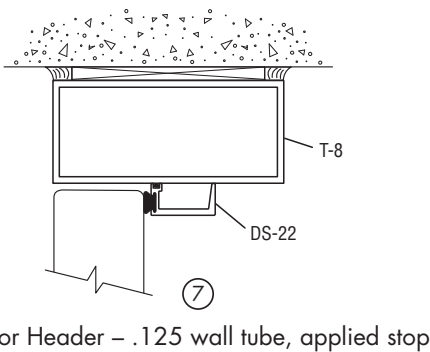
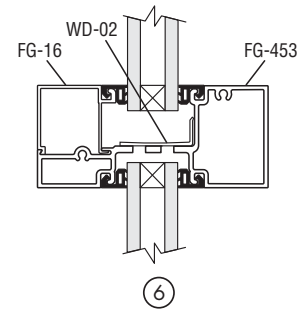
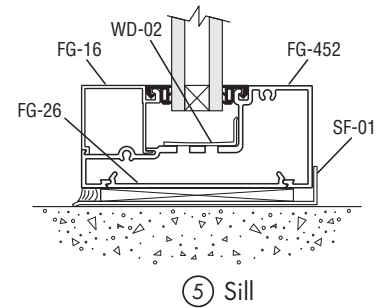
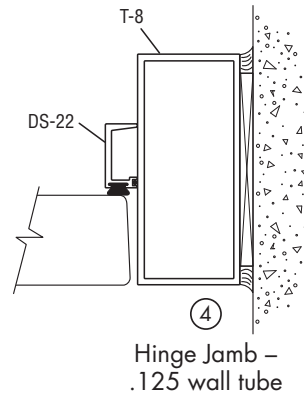
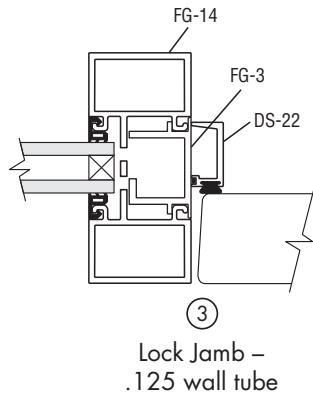
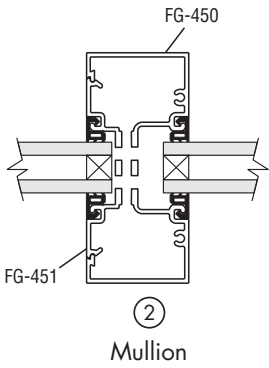
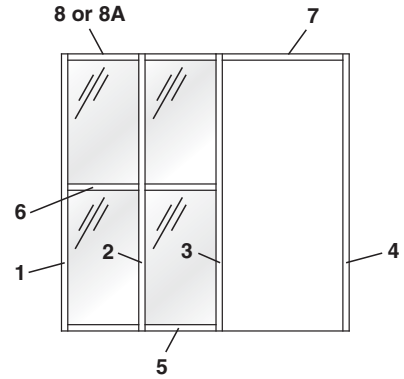
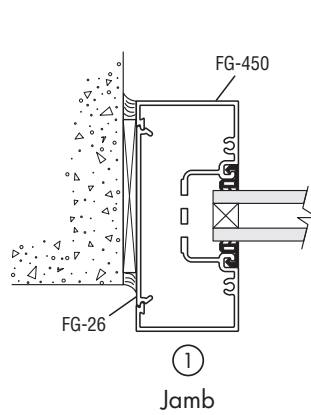
- **Thermally Improved**
- **For 1" Glass**
- **Transom Configuration**



2" x 4 - 1/2" Storefront Framing

Scale: 1/4" = 1

- Thermally Improved
- For 1" Glass



Product specifications and construction details subject to change without notification.

Special-Lite, Inc.
P.O. Box 6 • Decatur, MI 49045