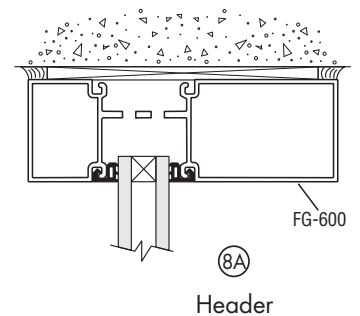
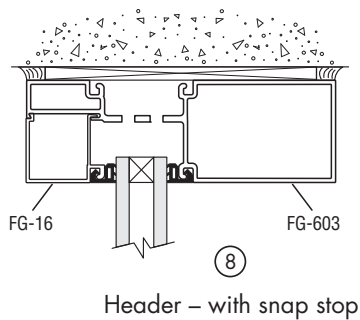
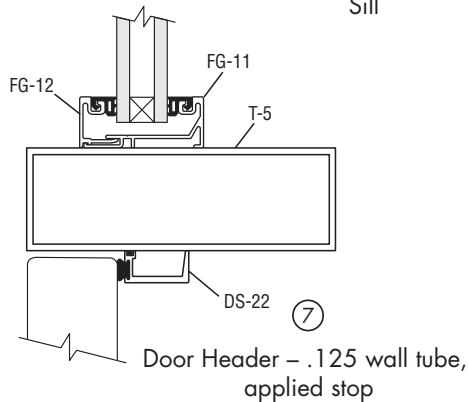
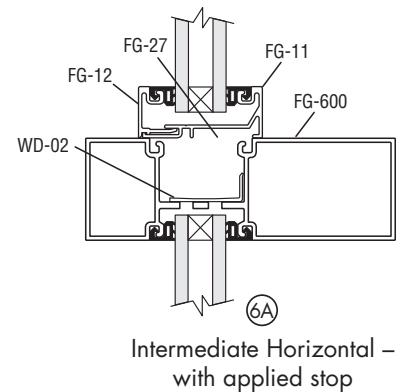
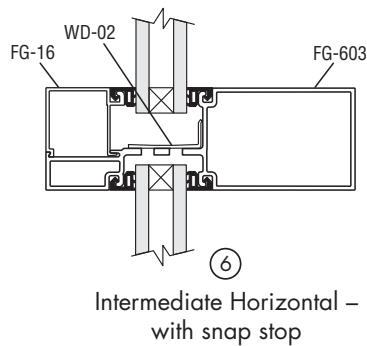
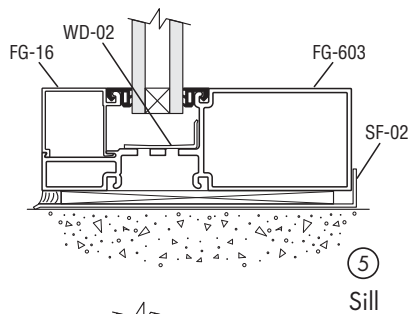
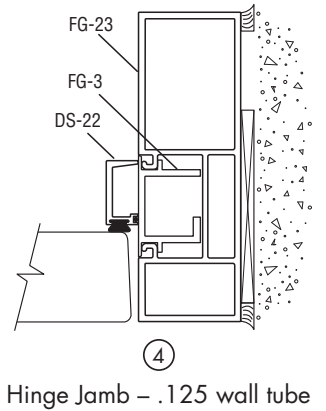
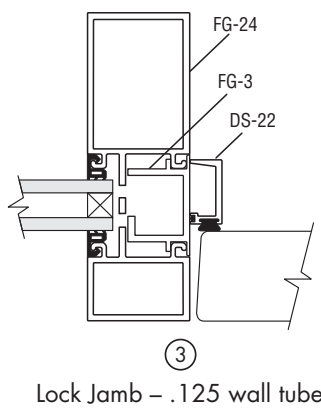
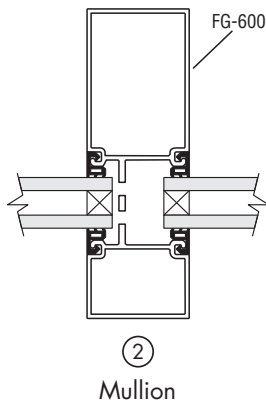
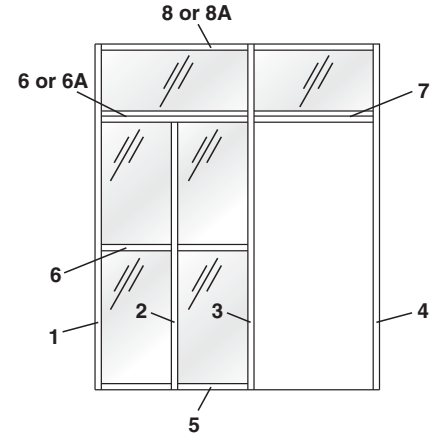
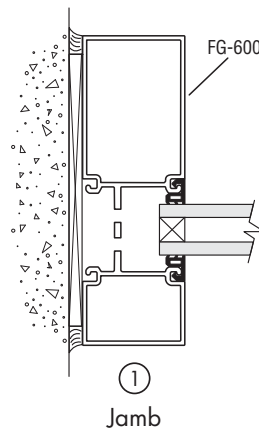


2" x 6" Storefront Framing

Scale: 1/4" = 1

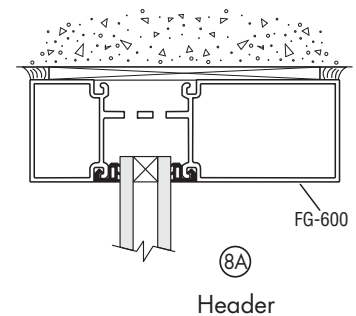
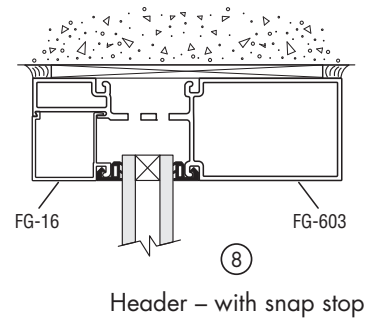
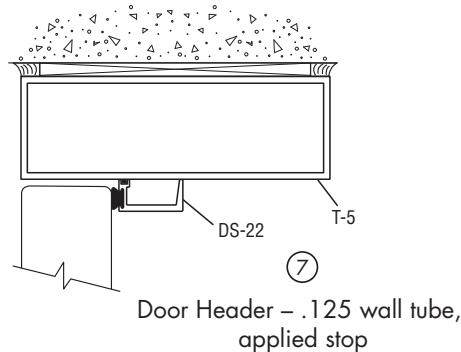
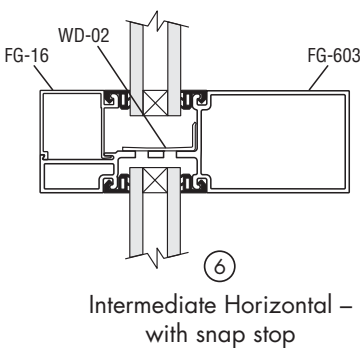
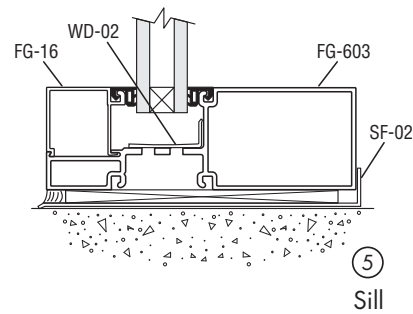
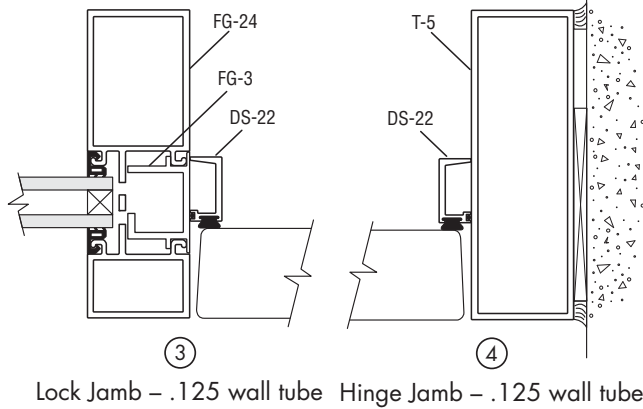
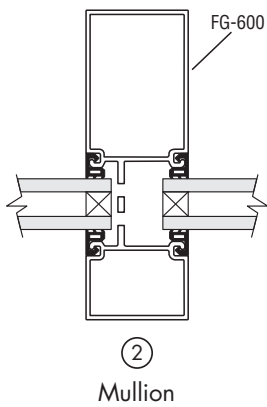
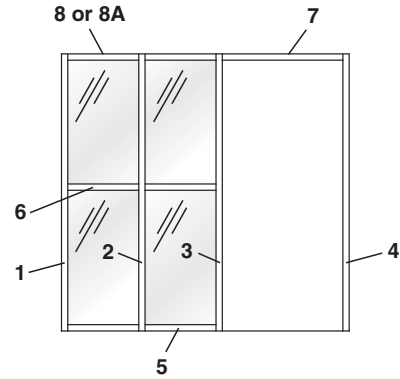
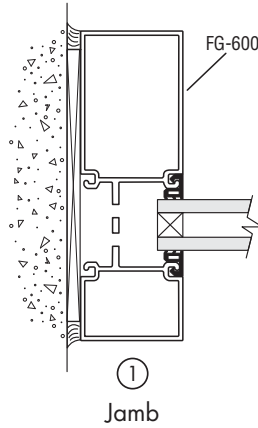
- Thermally Improved
- For 1" Glass
- Transom Configuration



2" x 6" Storefront Framing

Scale: 1/4" = 1

- Thermally Improved
- For 1" Glass



Product specifications and construction details subject to change without notification.

Special-Lite, Inc.
P.O. Box 6 • Decatur, MI 49045

www.special-lite.com

800.821.6531

Item 7212-R1

3M 10/09 JBP



Special-Lite®
Doors with more life.