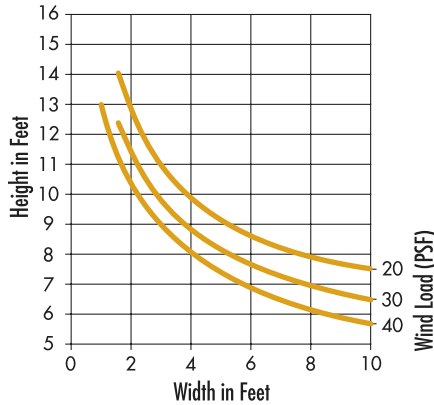


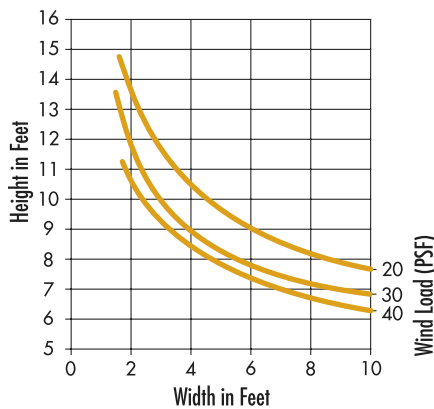
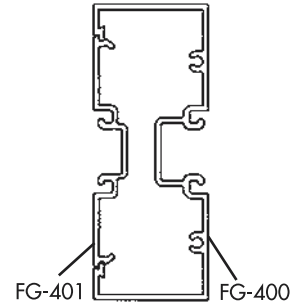
Storefront Windload Charts

Based on Vertical Mullions with Horizontals



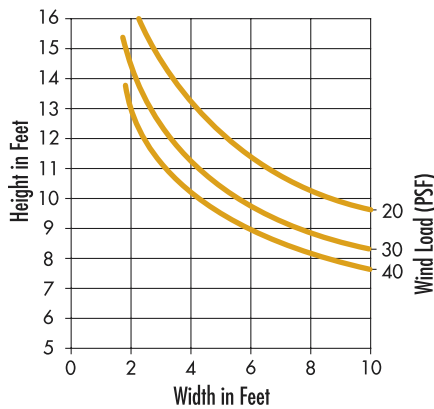
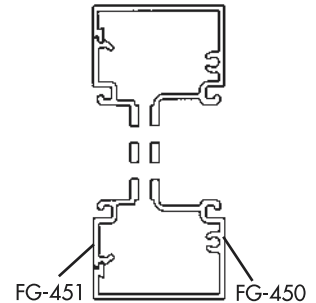
SL-450 Tube Mullion

moment of inertia = $I_{xx} = 2.75 \text{ in}^4$
section modulus = $S_{xx} = 1.22 \text{ in}^3$



SL-450T Tube Mullion

moment of inertia = $I_{xx} = 3.08 \text{ in}^4$
section modulus = $S_{xx} = 1.37 \text{ in}^3$



SL-600T Tube Mullion

moment of inertia = $I_{xx} = 5.93 \text{ in}^4$
section modulus = $S_{xx} = 1.91 \text{ in}^3$

